

Nitto Kohki
RIGHT ANGLE SANDERS



Model	MAS-20B
Air Pressure	85 psi
Air Consumption	14.1 CFM
Free Speed	22,000 RPM
Standard with Abrasive Pad	2" diameter
Hose Size Requirement	3/8" ID
Dimension	5" x 4"
Weight	1.1 lbs.
Horsepower	.27 hp
Additional Accessories	spanner, eye protector threaded adapter PT1/4" x NPT1/4"

- Ideal for sanding and/or polishing metal, aluminum, wood, plastic, and other materials
- Uses 1", 1-1/2" or 2" diameter abrasive pads
- Lightweight and compact design for working in confined spaces
- Side exhaust with noise reduction system
- Insulated handle for operator convenience and comfort
- Uses twist lock sanding pads for quick installation and removal

Acorn Industrial Products Co

520 Hertzog Boulevard | King of Prussia, PA 19406

Phone 800-523-5474 | **Fax** 800-782-6780

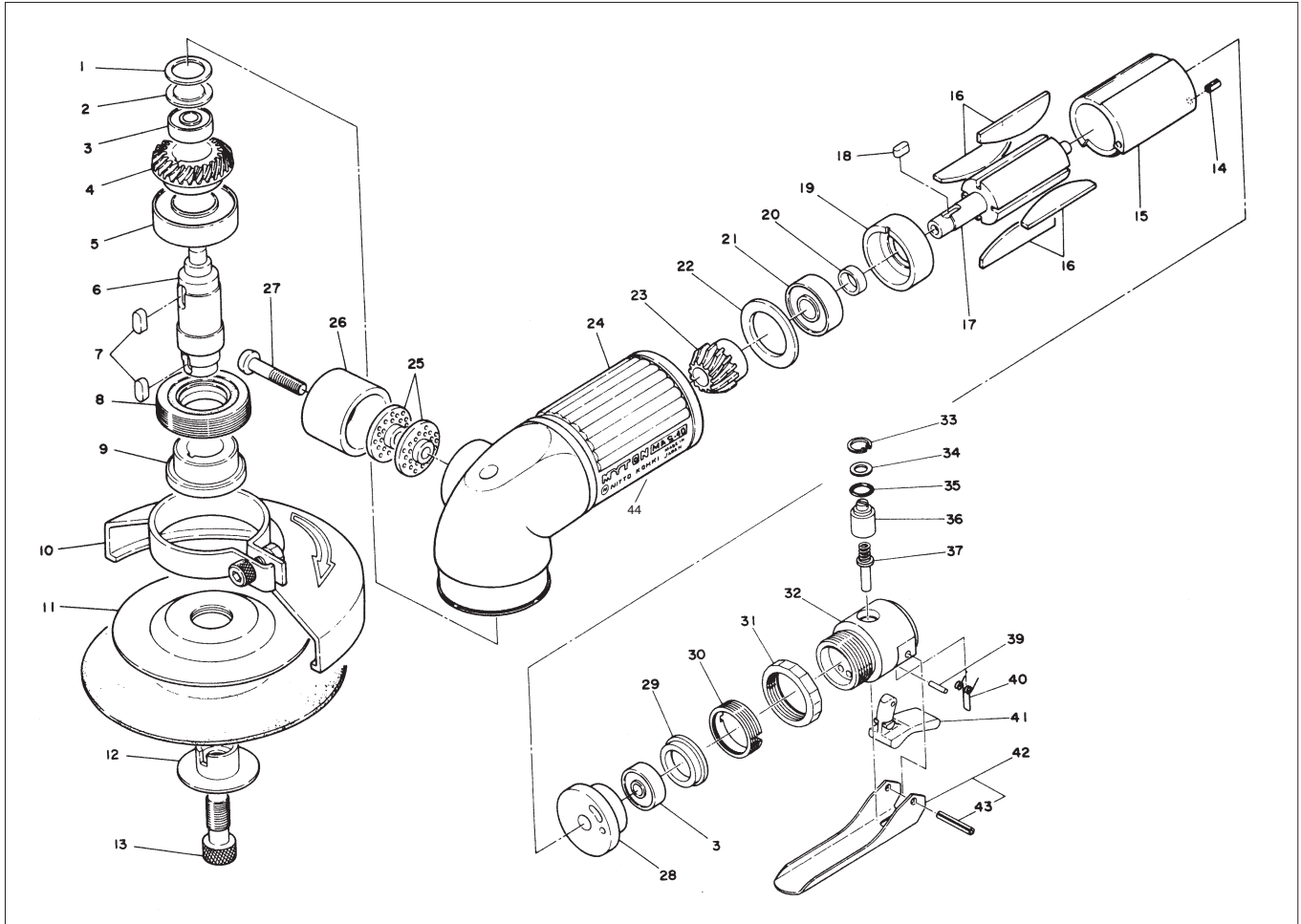
E-Mail acorn@acornindprod.com | **Web** acornindprod.com



Model	MAS-40
Air Pressure	85 psi
Air Consumption	15.9 CFM
Free Speed	13,000 RPM
Standard with Abrasive Pad	4" diameter
Hose Size Requirement	3/8" ID
Dimension	7.1" x 3.2"
Weight	2.0 lbs.
Horsepower	.45 hp
Additional Accessories	6mm allen wrench, spanner, hose nipple NPT1/4" x 3/8" hose barb threaded adapter PT1/4" x NPT1/4"

- Ideal for sanding and/or polishing metal, aluminum, wood, plastic, and many other materials
- Powerful 1/2 horsepower motor
- Uses standard 4" diameter abrasive pads
- Side exhaust with noise reduction system
- Insulated handle for operator convenience and comfort

MYTON MAS-40 ASSEMBLY AND PARTS LIST



The part numbers with () are included in the Ass'y parts written above them.

No.	Part No.	Part Name	Q'ty	Price
1	TP10826	Packing	1	
2	TP10100	Bearing Cover	1	
3	TP03933	Bearing R-1760 ZZ	2	
4	TP10116	Gear	1	
5	TP00539	Ball Bearing 6002ZZ	1	
6	TP14933	Spindle	1	
7	TP00502	Sunk Key 4 X 4 X 9.5	2	
8	TA91054	Bearing Set Screw Ass'y	1 set	
9	TQ00774	Lock Plate	1	
10	TA99145	Wheel Guard Ass'y	1 set	
11	TP14948	Sanding Pad	1	
12	TP14944	Disc Lock 16mm Dia	1	
13	TP09932	Hex. Bolt 8 X 20	1	
14	TP00496	Spring Pin 2.5 X 6	1	
15	TP06121	Cylinder	1	
16	TA9A287	Blades (4 pcs/set)	1 set	
17	TQ06119	Rotor	1	
18	TP10107	Sunk Key 3 X 3 X 8	1	
19	TP14931	End Plate B	1	
20	TP06322	Spacer 8 X 11 X 3	1	
21	TP00468	Ball Bearing 608Z	1	
22	TP10101	Spacer 19 X 28 X 2	1	
23	TP10113	Pinion	1	
24	TA99150	Housing Ass'y	1 set	
25	TP14040	Silencer Plate	2	

No.	Part No.	Part Name	Q'ty	Price
26	TP14041	Exhaust Cover	1	
27	LP08450	+ Screw 5 X 25	1	
28	TP10109	End Plate A	1	
29	TP10110	Cap	1	
30	TP10098	Lock Nut	1	
31	TP03468	Lock Ring	1	
32	TP15211	Valve Body	1	
33	TP03695	Retaining Ring C-12	1	
34	TP06326	Spacer 6 X 12 X 1.2	1	
35	TP11997	O-Ring KS-7	1	
36	TP06325	Adjust Valve	1	
37	TA99300	Valve Stem Ass'y	1 set	
39	TP09434	Spring Pin 2 X 12	1	
40	TP14340	Torsion Coil Spring	1	
41	TP14339	Lock Lever	1	
42	TA96253	Throttle Lever Ass'y	1 set	
43	(TP01921)	Spring Pin 3 X 18	1	
44	TP14946	Grip Tube	1	

ACCESSORIES

	TP00474	Spanner 17	1	
	TP00170	Hex. Wrench Key 6	1	
	TP02236	Reducer PT1/4 X NPT1/4	1	
	TP02380	Hose Nipple NPT1/4 X 3/8	1	